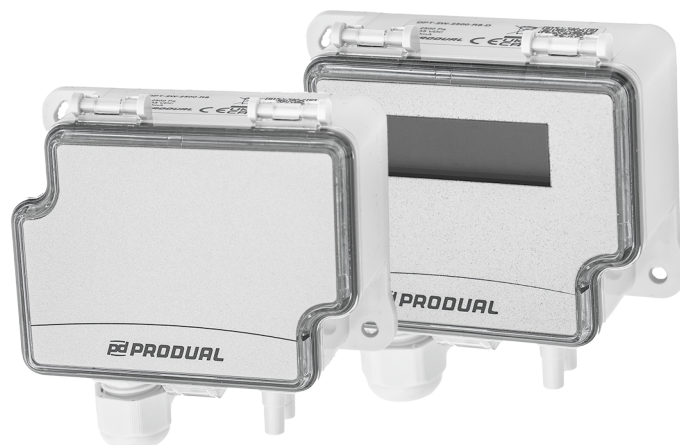


DPT-2W - 2-wire differential pressure transmitter



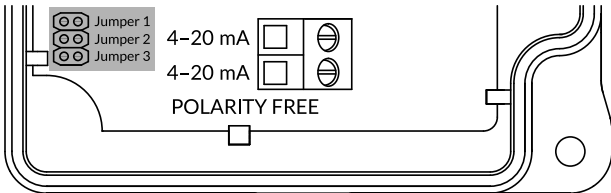
DPT-2W differential pressure transmitters are engineered for building automation in the HVAC/R industry. The most technologically advanced transmitters on the market, measuring static and differential pressure, with field selectable measurement range.

Technical specifications

Property	Value
Supply	10...35 Vdc
Pressure measurement ranges	
-250 models	±25 / ±50 / ±100 / ±150 / 0...25 / 0...50 / 0...100 / *0...250 Pa
-2500 models	±100 / 0...100 / 0...250 / 0...500 / 0...1000 / 0...1500 / 0...2000 / *0...2500 Pa
-7000 models	0...750 / 0...1000 / 0...1250 / 0...2250 / 0...2500 / 0...3750 / 0...5000 / *0...7000 Pa
Accuracy (temperature compensated)	±1.5 % + 2 Pa from value
Overpressure	
Proof pressure	25 kPa
Burst pressure	30 kPa
Long term stability	
-250 and -2500 models	typ. -8...8 Pa / year
-7000 models	typ. -22...22 Pa / year
Response time	*0.8 s / 4 s
Zeroing	Manually by push button
Sensor	MEMS, no flow-through
Output	
Signal	4...20 mA, >20 Ω
Accuracy	typ. ±0.04 mA at 25 °C, load 100 Ω
Display (-D models)	3 1/2 digit display
Operating conditions	
Temperature	-10...50 °C
Humidity	0...95 %rH (non-condensing)

Property	Value
Wire	0.2...1.5 mm ² (24...16 AWG)
Housing	
Materials	ABS and PC plastic
Protection class	IP54
Cable gland	M16
Mounting	2 x Ø4.3 mm screw holes, one slotted
Dimensions (w x h x d)	90 x 95 x 36 mm
Weight	150 g
Storage temperature	-40...70 °C
	* factory setting

Measuring range selection



Settings for -250 models

	±25	±50	±100	±150	0...25	0...50	0...100	¹⁾ 0...250
Jumper 1	● ●	● ●	● ●	● ●	■	■	■	■
Jumper 2	● ●	● ●	■	■	● ●	● ●	■	■
Jumper 3	● ●	■	● ●	■	● ●	■	● ●	■

Settings for -2500 models

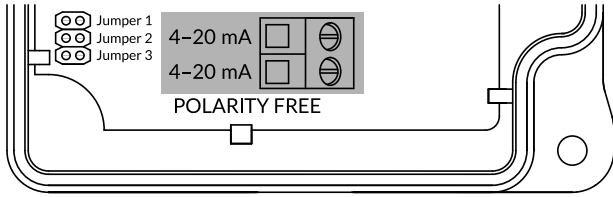
	±100	0..100	0...250	0...500	0...1000	0...1500	0...2000	¹⁾ 0...2500
Jumper 1	● ●	● ●	● ●	● ●	■	■	■	■
Jumper 2	● ●	● ●	■	■	● ●	● ●	■	■
Jumper 3	● ●	■	● ●	■	● ●	■	● ●	■

Settings for -7000 models

	0..750	0..1000	0...1250	0...2250	0...2500	0...3750	0...5000	¹⁾ 0...7000
Jumper 1	● ●	● ●	● ●	● ●	■	■	■	■
Jumper 2	● ●	● ●	■	■	● ●	● ●	■	■
Jumper 3	● ●	■	● ●	■	● ●	■	● ●	■

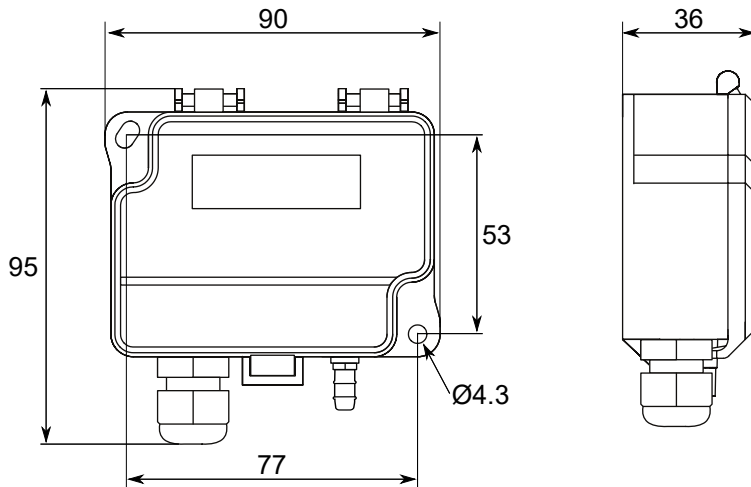
¹⁾ Factory setting

Wiring



4-20 mA		Wiring polarity is free.
4-20 mA		

Dimensions



Ordering information

	Model	Product number	Description
	DPT-2W-250-R8	104.004.011	2-wire differential pressure transmitter, 0...250 Pa
	DPT-2W-250-R8-D	104.004.012	2-wire differential pressure transmitter with display, 0...250 Pa
	DPT-2W-2500-R8	104.004.041	2-wire differential pressure transmitter, 0...2500 Pa
	DPT-2W-2500-R8-D	104.004.042	2-wire differential pressure transmitter with display, 0...2500 Pa
	DPT-2W-7000-R8	104.015.007	2-wire differential pressure transmitter, 0...7000 Pa
	DPT-2W-7000-R8-D	104.015.008	2-wire differential pressure transmitter with display, 0...7000 Pa

Supported standards, directives and regulations

Standard	Description
2014/30/EU	Electromagnetic Compatibility (EMC).
2011/65/EU	Restriction of Hazardous Substances (RoHS2) Directive.
(EU) 2015/863	Commission Delegated Directive, amending Annex II to Directive 2011/65/EU.
2012/19/EU	Waste electrical and electronic equipment (WEEE).
2001/95/EC	General product safety.
S.I. 2016 No. 1091	Electromagnetic compatibility regulations
S.I. 2012 No. 3032	The restriction of the use of certain hazardous substances in electrical and electronic equipment regulations
EN 61326-1:2021	Electrical equipment for measurement, control and laboratory use - EMC requirements - Part 1: General requirements
EN 61326-2-3:2013	Electrical equipment for measurement, control and laboratory use - EMC requirements - Part 2-3: Particular requirements - Test configuration, operational conditions and performance criteria for transducers with integrated or remote signal conditioning